

V3071-64H Series

Network Video Recorder

Infinova[®]
The Integrator's Manufacturer



- Embedded LINUX operating system, stable and reliable
- Supports 32ch network camera video and audio access with a total bandwidth of 96Mbps
- Supports 4ch 1080P HD video or 16ch D1 local decoding
- Stream media transfer up to 48Mbps
- Compatible with more than 300 types of third party IP terminal Devices such as Axis, Panasonic, Sony, Bosch, Sumsung, Mobotix, Pelco, Arecont, Zavio, Tattile, Epiphan, Grandeye, IQinvision, Lumenera through specified protocols and with more than 1300 types of third party IP terminal equipment via ONVIF Integration
- Supports combined video and audio storage
- Front end installations automatic searching function
- Local HDMI + VGA double HD different source output
- High profile and sub profile automatic switch during preview
- Simultaneous streams recording: low definition for 24/7 recording and high definition for alarm recording to save hard disk space and ensure key video file quality
- Instant replay for instant inspection of real time events
- First-class user interface design, quick and easy operation, simultaneous preview and playback
- Digital zoom-in is enabled during preview and playback for any image area after which digital PTZ may be employed
- Front-mounted slot-type hard disk installation with 8 embedded hard disk locations, each supports up to 4T
- Automatic recording: after installing a camera, it can record in a 24/7 mode
- 24/7 recording, timing recording, alarm recording; it supports flexible recording strategy and plan configuration
- Pre-recording and post-recording
- Quick video miniature positioning: extracts image miniature at any time zone for the quick positioning of a desired playback video
- Visual search function: supports timeline accuracy arrange infinite zoom for fast and accurate video positioning
- Multiple playback control: variable speeds, jump, frame by frame, reverse play, etc.
- Flexible authorization and management time configuration, user authorization assigned to each channel
- Real-time NVR health state detection
- Strong alarm event setting function, integrated with alarm condition editor
- Embedded web server for across platform (Mac OS/Windows) browsing
- Dual Gigabit network ports, supports IP, DHCP and NTP protocols; a Gigabit optical port for direct connection to an optical port switch
- Supports USB mouse and keyboard for easy operation and management

Description

V3071 Series Network Video Recorder is another masterpiece introduced by Infinova company. This NVR is based on a dual A9 high performance SoC chip and embedded Linux operating system, integrating network, storage, management, decoding and transferring technologies. It can help you construct a set of complete and strong network video monitoring and management system.

V3071 NVR supports multi-ch HD or SD network video access (up to 32ch) and storage, 4ch 1080P HD video playback, in-built 8 hard disk locations (each supports up to 4T), compatible with Infinova and many other mainstream brands cameras; it is capable of high definition local decoding, supports dual HDMI + VGA dual HD different source output and employs stream media transfer technology, enabling remarkable transmission efficiency of IP videos under various network bandwidth environment.

V3071 NVR can be widely applied in sites such as security monitoring, smart building, safe city, railway traffic, judicial system, large chain stores, hotel, gas station, chain store, factory, school, community, etc.

Ordering information

V3071-64H Network video recorder, supports up to a total of 96Mbps access bandwidth, able to in-build 8 hard disks

Hard Disk Ordering Information	
V3091 series SATA hard disk	
V3091-1000-S	SATA, 1TB
V3091-2000-S	SATA, 2TB
V3091-3000-S	SATA, 3TB
V3091-2000-W	SATA, 2TB
V3091-3000-W	SATA, 3TB
V3091-4000-W	SATA, 4TB

Website client-side system requirement

Operating System	Windows 7, Mac OS X 10.6 (Snow Leopard)
Silverlight	5.0 (required to install Microsoft .NET Framework 3.5 in advance)
Browser	Firefox latest version; Internet Explore 7 or later; Safari 5 or later (limited to Intel-based Macs)
Processor	Dual core 1.83Ghz or later
Memory	2GB or later (4GB recommended)
Hard Disk	50MB or later
Network	Gigabit Ethernet
Video Card	24-bit color depth (true color) video card (min. 128MB), compatible with Microsoft DirectX9 (or later) and Direct3D
Screen Resolution	Min. 1024 x 768 (1280 x 1024 or later recommended)

Technical specifications

Video Input	
Standard	H.264
Input	32ch
Input Bandwidth	96Mbps
Data Rate	512Kbps~8Mbps
Resolution	3MP/1080P/1600x1200/720P/640x480/D1/ 4CIF/DCIF/2CIF/CIF/QCIF
Transfer Bandwidth	64Mbps
Audio Input	
Standard	G.711U
Input	1ch, BNC (reserved)
Video and Audio Output	
HDMI	1ch, 1920x1080, 1440x900
VGA	1ch, 1920x1080
CVBS	1ch, BNC, 704x576(PAL); 704x480(NTSC)
Audio	1ch, BNC
Interface	
Serial	1*RS-232 (RJ-45) 1*RS-422 (4-pin terminal) (reserved) 1*KB interface (2-pin terminal) (reserved)
Network	2*electric ports, on rear panel, RJ-45, 10M/100M/1000M self-adaptive 1*optical port, on rear panel, 10M/100M/1000M self-adaptive (without any optical module)
USB	USB 2.0 2, on front panel; 1, on rear panel
eSATA	1, on rear panel (reserved)
Alarm	16ch alarm input 4ch alarm output(no source)
Recording	
Capability	32ch
Strategies	24/7 recording, timing recording, alarm recording
Playback	
Instant Playback	Supported
Multi-channel Playback	Supported up to 4ch
Speed	Forward: frame fwd, 1x, 2x, 4x, 8x, 16x Backward: frame bwd, 1x, 2x, 4x, 8x, 16x
Storage	
Hard Disk Interface	Inbuilt 8 SATA ports, each supports up to 4T
Backup	USB, website, etc. supported

Network	
Protocol	Supports TCP/IP, RTP, UDP, ICMP, DHCP, DNS, NTP, SNMP, etc.
Operation	
OS	Embedded Linux
User	Three-level user management, authorization controlled by time and assigned to a channel
Configuration and Management	Operation via a mouse or keyboard supported
System Maintenance	NVR upgraded via remote websites or local USB supported
Electrical	
Input Voltage	100~240VAC self-adaptive
Power	Not more than 25W (excluding a hard disk)
Power Failure Protection	Automatic power-on recovery after power failure
Mechanical	
Net Weight (no hard disk)	19.62lbs (8.9kg)
Gross Weight (no hard disk)	26.46lbs (12kg)
Product Dimension (LxWxH)	19.06"x 17.72"x 3.54" (484mm x 450mm x 90mm)
Max. Installation Dimension	19" (2U) EIA standard
Packing Dimension	21.65"x 21.26"x 7.44" (550mm x 540mm x 189mm)
Environmental	
Operating Temperature	14°F ~ 131°F (-10°C ~ 55°C)
Storage Temperature	-4°F ~ 158°F (-20°C ~ 70°C)
Operating Humidity	5% ~ 90% (non-condensing)
Certifications and Approval	
Product Certifications	CE ¹ , FCC ² , UL ³ , ISO 9001: 2008
Certification No.:	¹ CTE15010033; ² CTE15010034; ³ E232008

Storage capacity

The storage capacity shall be 29.68TB if build in 8 4T hard disks.

Data Rate Day	8Mbps	6Mbps	4Mbps	2Mbps
15	12Ch	19Ch	24Ch	32Ch
30	11Ch	15Ch	23Ch	32Ch
60	6Ch	8Ch	12Ch	24Ch
90	4Ch	5Ch	8Ch	16Ch

The storage capacity shall be 21.76TB if build in 8 3T hard disks.

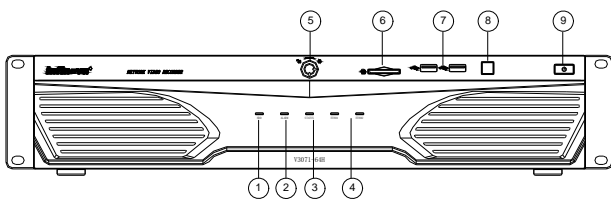
Data Rate Day	8Mbps	6Mbps	4Mbps	2Mbps
15	12Ch	19Ch	24Ch	32Ch
30	8Ch	11Ch	17Ch	32Ch
60	4Ch	5Ch	8Ch	17Ch
90	2Ch	3Ch	5Ch	11Ch

The storage capacity shall be 14.48TB if build in 8 2T hard disks.

Data Rate Day	8Mbps	6Mbps	4Mbps	2Mbps
15	11Ch	15Ch	22Ch	32Ch
30	6Ch	7Ch	11Ch	23Ch
60	2Ch	3Ch	5Ch	11Ch
90	1Ch	2Ch	3Ch	7Ch

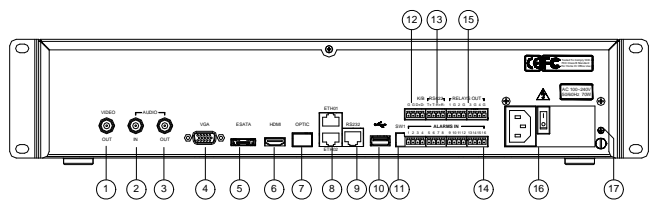
Panel view

Front panel view



- Storage disk status indicator
- Alarm indicator
- Running status indicator (reserved)
- Network status indicator (two)
- Front panel lock
- SD card slot (reserved)
- USB port (two)
- Infrared lamp (reserved)
- Power switch

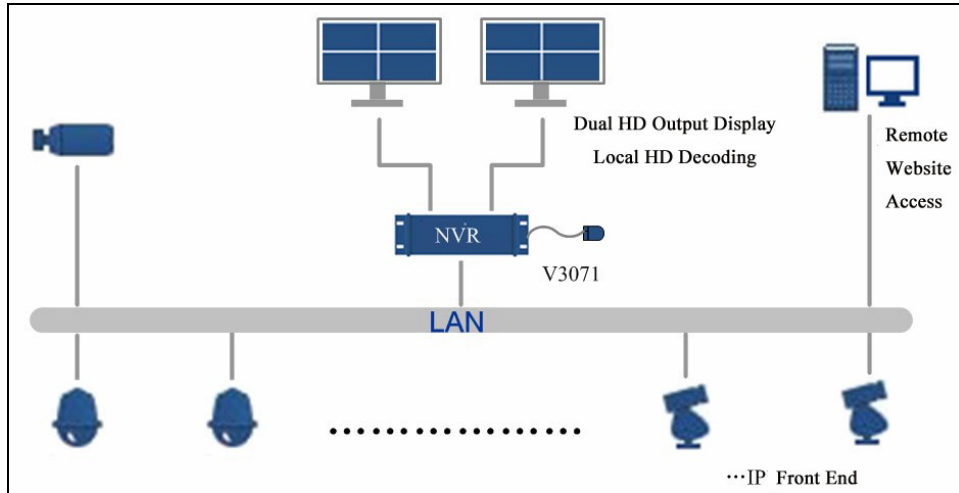
Rear panel view



- Video output (BNC)
- Audio input
- Audio output
- VGA video output
- eSATA port (reserved)
- HDMI video output
- Optical fiber port
- Ethernet port (two)
- RS232 port
- USB port
- Resistor switch for RS422 (reserved)
- Keyboard port (reserved)
- RS422 port (reserved)
- Alarm input interface
- Relay output port
- Power and switch
- Ground terminal

System application

Small-sized System



Medium/Large-sized System

